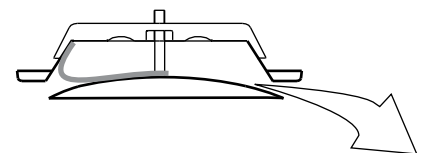
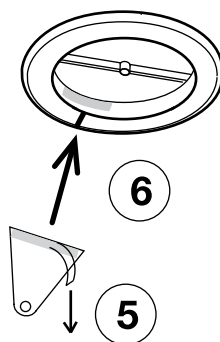
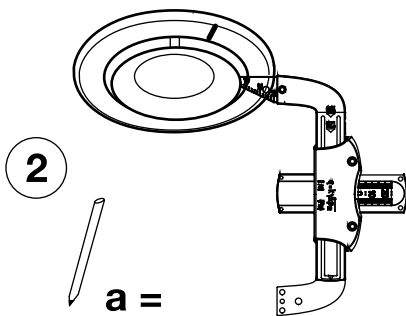
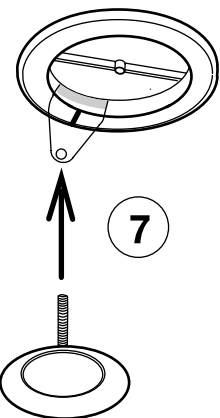
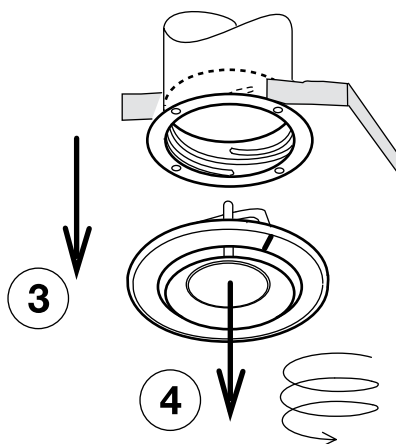
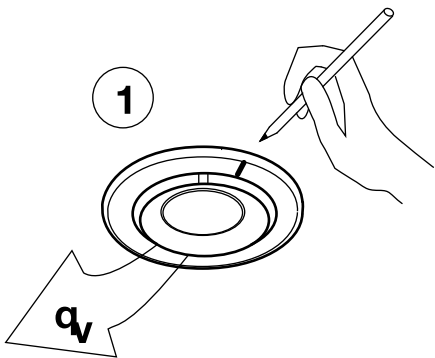
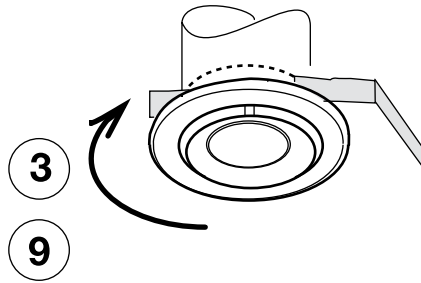
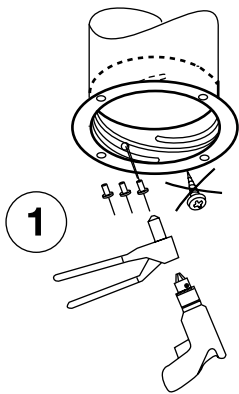
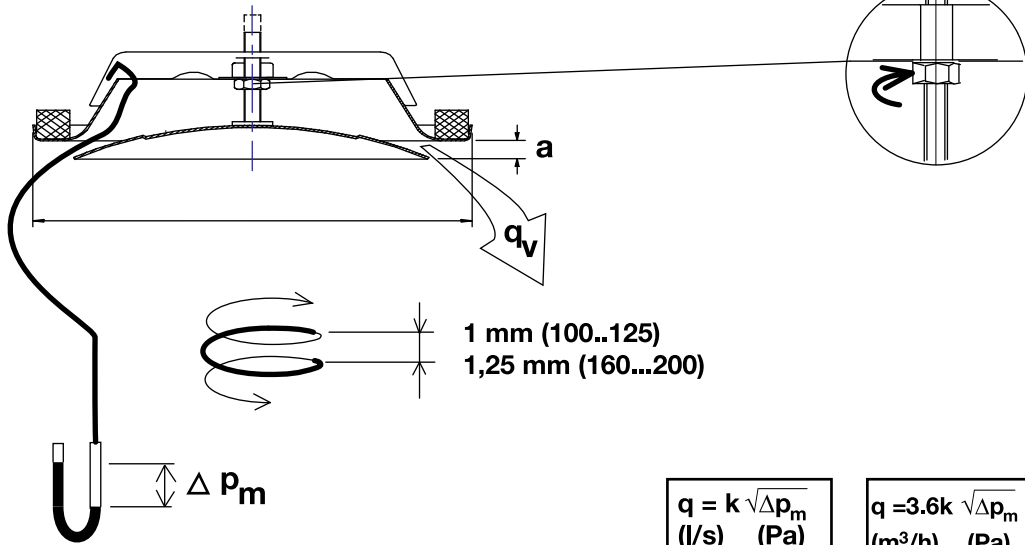
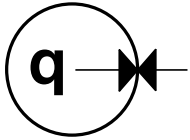
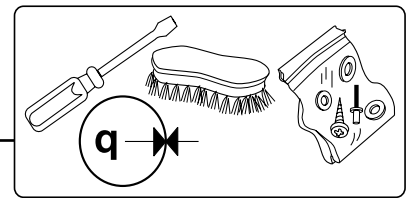


SR 145



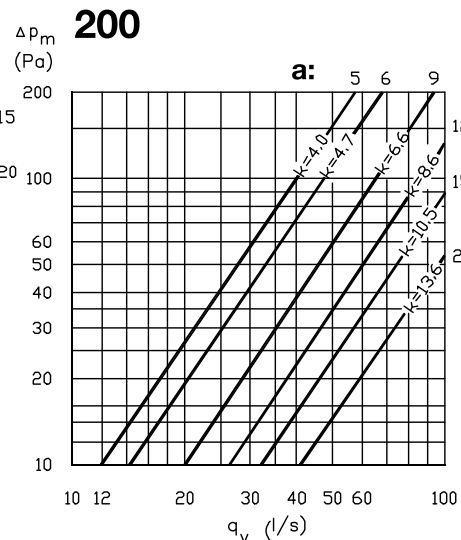
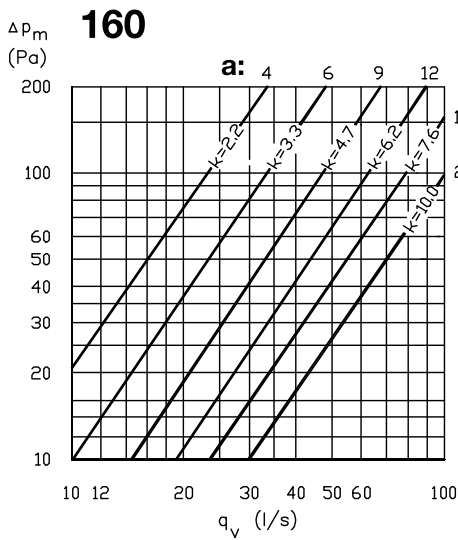
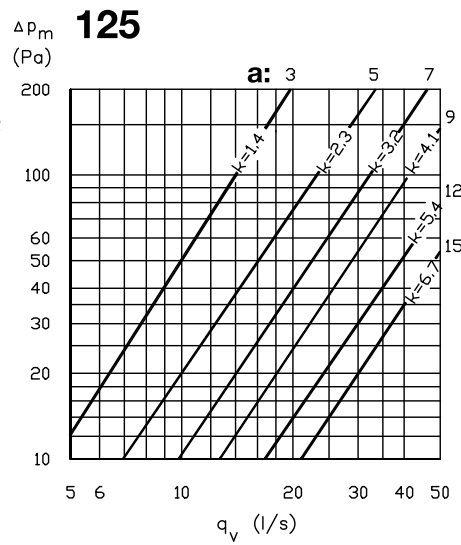
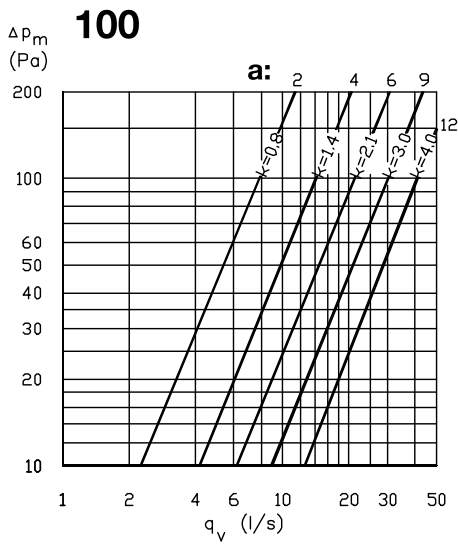
SR 145

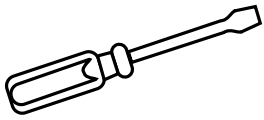
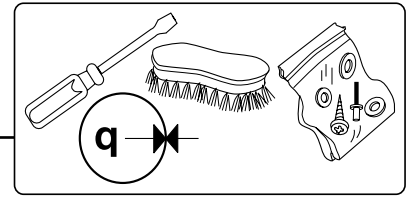


1 mm (100..125)
1,25 mm (160...200)

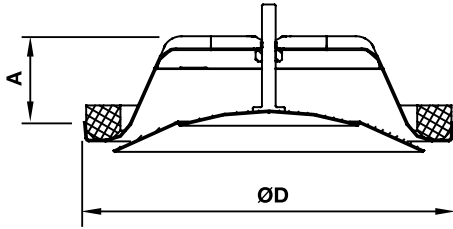
$$q = k \sqrt{\Delta p_m} \quad \left(\frac{l}{s} \right) \quad (Pa)$$

$$q = 3.6k \sqrt{\Delta p_m} \quad \left(\frac{m^3}{h} \right) \quad (Pa)$$





SR 145



SR 145	ØD	A
100	132	31,5
125	162	36,5
160	193	44,0
200	245	53,5

