

PRESSURE SWITCH

Dedicated for individual ventilation unit

User instructions **EN**



NOTE :
DO NOT USE THE PRINTED MANUAL DELIVERED WITHIN THE PRODUCT. THIS MANUAL IS DEDICATED FOR VENTILATION UNIT INSTALLATION

1. WARNINGS

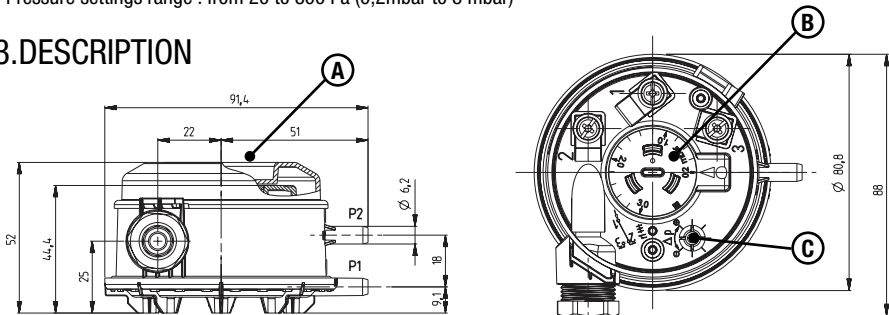
Before to use the pressure switch, please carefully read this manual. For damages arising from the non-observance of this manual, improper use, or any other use than the intended purpose, the guarantee will become invalid. We disclaim any responsibility for any damage suffered consequence of this improper use. The installation and dismantle of this device can be done exclusively by a professional. The safety specification operative in the country must be respected in the use of the pressure switch. The specific protection level must be respected during installation.

2. GENERAL INFORMATION

This pressure switch can be installed with the ventilation units : EasyHOME® Compact MW SP (ref:11033053) and EasyHOME® HYGRO PREMIUM SP (ref: 11033066)

- Max Pressure : 50 mbar
- Differential : approx.. 15 Pa (0,15 mbar)
- Temperature : -30°C to +85°C
- Rupture capacity : 250VAC / 5A 30 VDC / 2A
- Protection : IP 54
- Pressure settings range : from 20 to 300 Pa (0,2mbar to 3 mbar)

3. DESCRIPTION



A is the protection cap, it should be removed with a screwdriver or any tool to lift it.

B is the rotating disc which sets up the pressure setting point.

P1 and P2 are the connections.

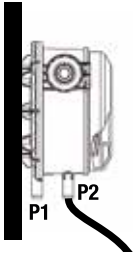
C is preset in factory - do not change the setting.

WARNINGS: WHEN THE PROTECTION CAP IS REMOVED, NEVER TOUCH 1,2 AND 3 AT THE RISK OF DEATH INJURY. SWITCH ELECTRIC POWER OFF BEFORE REMOVING THE PROTECTION CAP

4. INSTALLATION

4.1. PRESSURE SWITCH

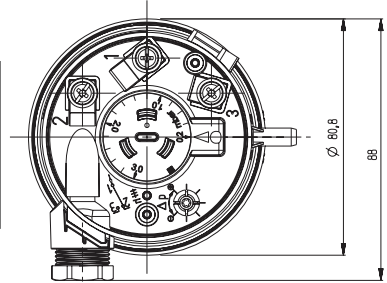
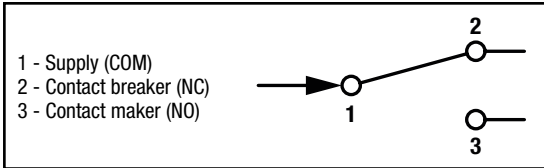
The pressure switch must be installed in a vertical position, the P1 and P2 connections must be upside down to avoid dust introduction.



To control the pressure, the pressure switch is connected to the air duct on the P2 connection. The P1 connection must not be sealed : the system needs to be connected to the atmosphere.

To avoid condensation generation within the pipe, it should be connected from the switch to the ventilation unit without any loops or with condensate drain.

WARNINGS: DUST MUST NOT BE INTRODUCED BY P1 CONNECTION.

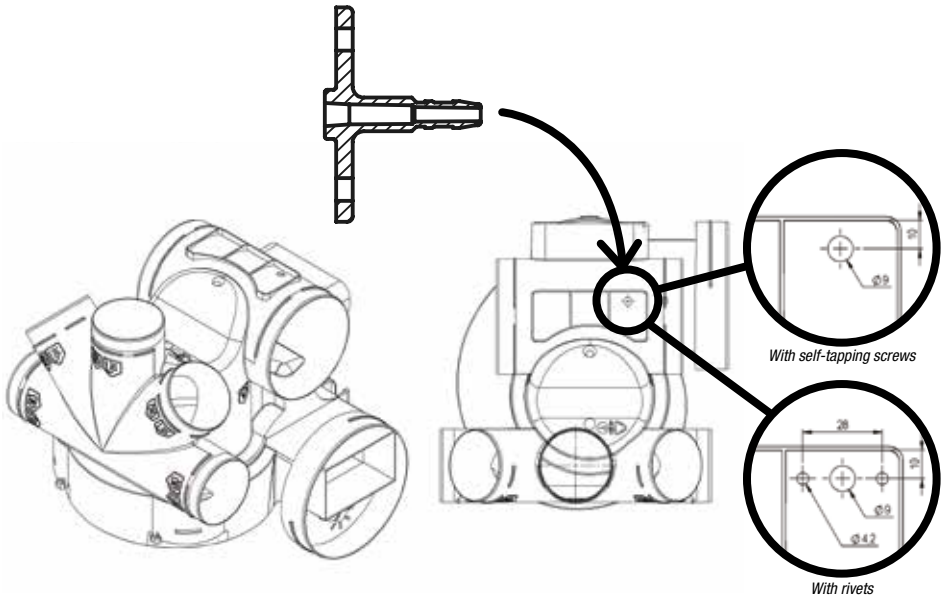


4.2. PRESSURE TAP

The pressure tap will be installed on the ventilation unit directly with screws or with rivets.

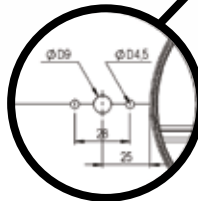
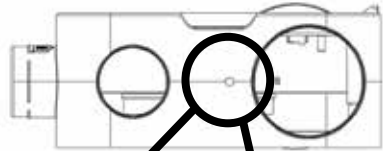
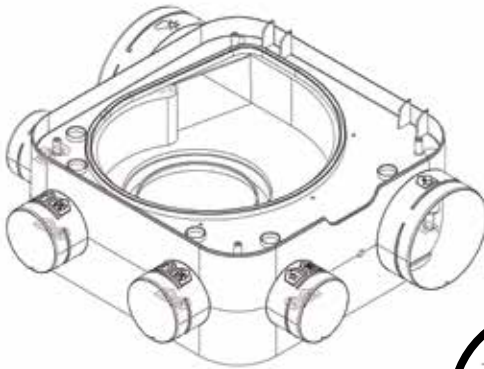
4.2.1. INSTALLATION WITH EASYHOME® HYGRO PREMIUM SP (REF: 11033066)

The pressure tap will be installed on the ventilation unit directly with screws or with rivets.

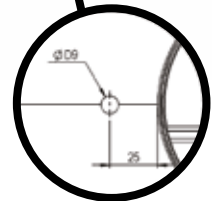


4.2.1. INSTALLATION WITH EASYHOME® HYGRO COMPACT MW SP REF:11033053)

WARNING: PLEASE RESPECT THE REQUIRED DISTANCE OF THE HOLES IN ORDER TO ENSURE THE RIGHT POSITION OF THE PRESSURE TAP.



With rivets



With self-tapping screws

5. PRESSURE SWITCH SETTINGS

The pressure has to be set up at 40 Pa (0,4mbar). Use a screwdriver and turn the rotating disc B up to the 0,4mbar scale.



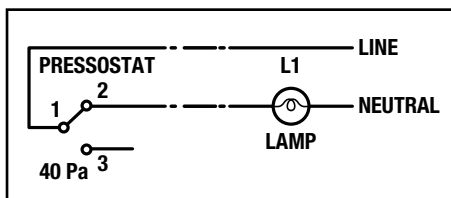
WARNINGS : ADJUST THE COMMUTATOR ONLY IN THE PRINTED SCALE RANGE ! DO NOT TURN THE ROTATING DISC B IN THE BLACK AREA !

6. WIRING PRINCIPLE FOR DEFAULT INDICATOR

IN ORDER TO CONNECT A LAMP TO INDICATE A DEFAULT FOR THE USER, THE WIRING PRINCIPLE BELOW CAN BE USED.

Wiring must be carried out in accordance with standards (*).

The whole must be protected by a protection and disconnection device according to the norms (*) whose protection rating is suitable for the wiring, the contact specifications (described in chapter 2) and the characteristics of the lamp used.



(* Standards in force in the country where the device is installed.

The protection of the fault display circuit should not be common with the protections upstream of the ventilation unit power supply.



www.aldes.com



Aldes-PressureSwitch-Inst-11085095A - 12/2020 - RCS 956 506 828 - Aldes - Imprimé en France/ Printed in France